

# SPzeros

MOTOR FOR SPRING BALANCED DOORS, COMMERCIAL SHUTTERS, GARAGE DOORS.



Fast installation with only 4 screws.



IP 42 protection rate.



10 rpm is the most suitable speed for rolling shutters.

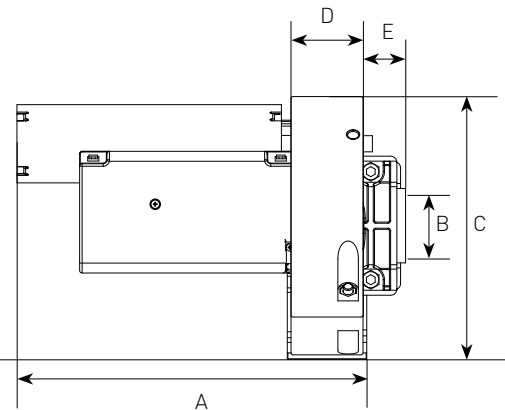


Easy handling during installation and less stress on the tube due to its light weight.



Limit switch with micrometric adjustment.

SEGMENT	LENGTH (mm)
A	279 (355 Ver. <b>E</b> )
B	48 (60*)
C	200 (220**)
D	58
E	27



## TECHNICAL DETAILS

TORQUE (Nm)	130
POWER SUPPLY (V)	230
FREQUENCY (Hz)	50
ABSORPTION (A)	1.9
POWER (W)	390
PROTECTION RATE (IP)	42
DUTY RATING (Min)	5
OUTPUT SPEED (Min <sup>-1</sup> )	10
LIMIT SWITCH MAX. TURNS	8
WEIGHT (Kg)	6.2

## SP0

LIMIT SWITCH WITH GRADUATED ADJUSTING CAMS.



## Ver. **E** (OPTIONAL)

WITH ELECTROMAGNETIC BRAKE.



\* with collars.

\*\* with extension wheel.

# SP*diecis*

MOTOR FOR SPRING BALANCED DOORS, COMMERCIAL SHUTTERS, GARAGE DOORS.



Fast installation with only 4 screws.



IP 42 protection rate.



10 rpm is the most suitable speed for rolling shutters.

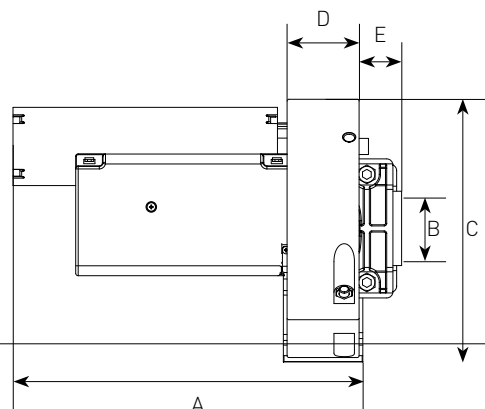


Easy handling during installation and less stress on the tube due to its light weight.



Limit switch with micrometric adjustment.

SEGMENT	LENGTH (mm)
A	279 (355 Ver. <b>E</b> )
B	48/60*
C	200/220*
D	58
E	27



## TECHNICAL DETAILS

TORQUE (Nm)	160
POWER SUPPLY (V)	230
FREQUENCY (Hz)	50
ABSORPTION (A)	2
POWER (W)	450
PROTECTION RATE (IP)	42
DUTY RATING (Min)	5
OUTPUT SPEED (Min <sup>-1</sup> )	10
LIMIT SWITCH MAX. TURNS	8
WEIGHT (Kg)	7

## SP10

LIMIT SWITCH WITH GRADUATED ADJUSTING CAMS.



## Ver. **E** (OPTIONAL)

WITH ELECTROMAGNETIC BRAKE.



\* with collars.

\*\* with extension wheel.

# SP*ventis*

MOTOR FOR SPRING BALANCED DOORS, COMMERCIAL SHUTTERS, GARAGE DOORS.



Fast installation with only 4 screws.



IP 42 protection rate.

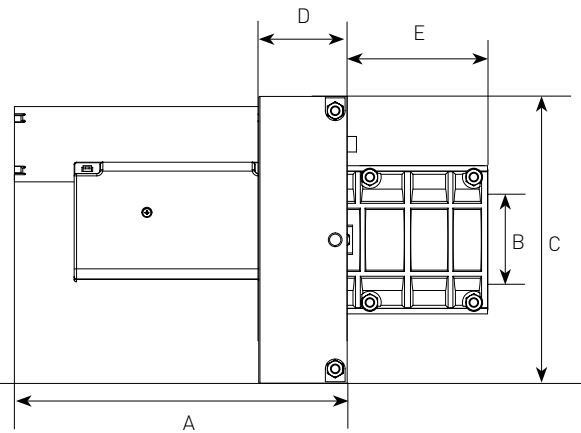
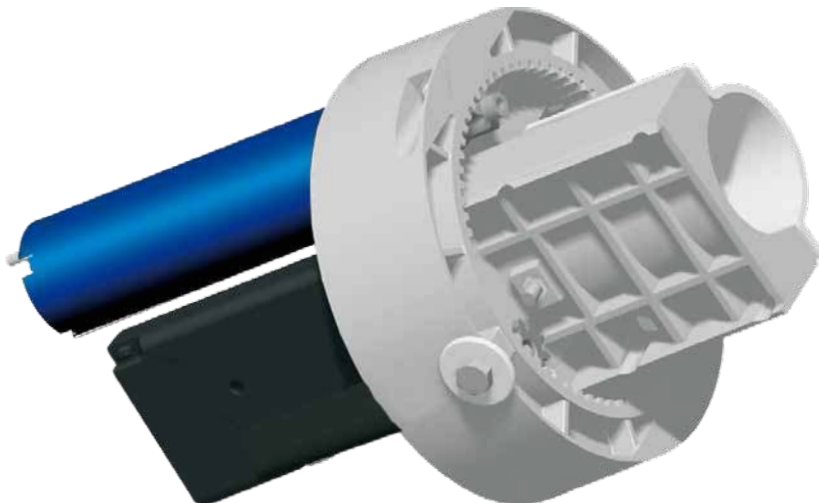


9 rpm is the most suitable speed for rolling shutters.



Limit switch with micrometric adjustment.

SEGMENT	LENGTH (mm)
A	279 (355 Ver. <b>E</b> )
B	76
C	240
D	74
E	117



## TECHNICAL DETAILS

TORQUE (Nm)	190
POWER SUPPLY (V)	230
FREQUENCY (Hz)	50
ABSORPTION (A)	2.2
POWER (W)	495
PROTECTION RATE (IP)	42
DUTY RATING (Min)	5
OUTPUT SPEED (Min <sup>-1</sup> )	9
LIMIT SWITCH MAX. TURNS	7
WEIGHT (Kg)	9.2

## SP20

LIMIT SWITCH WITH GRADUATED ADJUSTING CAMS.



## Ver. **E** (OPTIONAL)

WITH ELECTROMAGNETIC BRAKE.



# SPventunoS

MOTOR FOR SPRING BALANCED DOORS, COMMERCIAL SHUTTERS, GARAGE DOORS.



Fast installation with only 4 screws.



IP 42 protection rate.



9 rpm is the most suitable speed for rolling shutters.

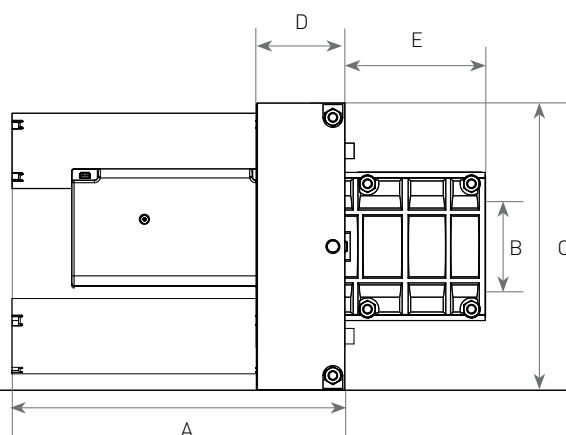
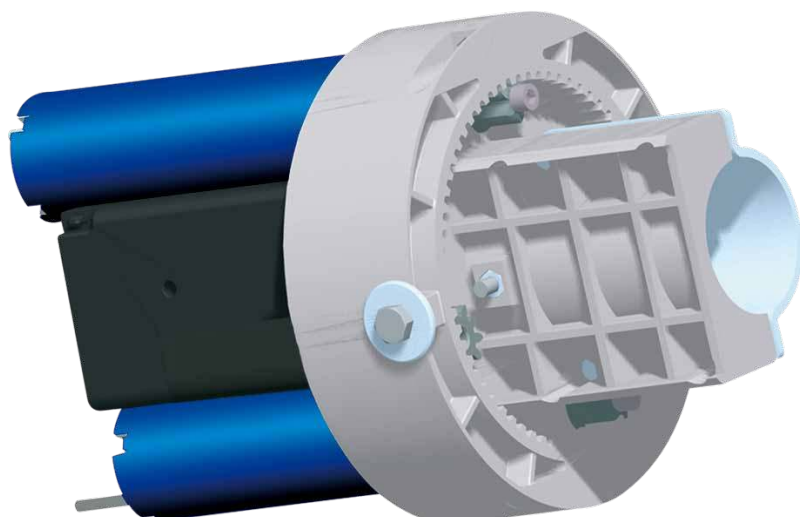


Easy handling during installation and less stress on the tube due to its light weight.



Limit switch with micrometric adjustment.

SEGMENT	LENGTH (mm)
A	279 (355 Ver. <b>E</b> )
B	76
C	240
D	74
E	117



## TECHNICAL DETAILS

TORQUE (Nm)	270
POWER SUPPLY (V)	230
FREQUENCY (Hz)	50
ABSORPTION (A)	3
POWER (W)	670
PROTECTION RATE (IP)	42
DUTY RATING (Min)	5
OUTPUT SPEED (Min <sup>-1</sup> )	9
LIMIT SWITCH MAX. TURNS	7
WEIGHT (Kg)	12

## SP21

LIMIT SWITCH WITH GRADUATED ADJUSTING CAMS.



## Ver. **E** (OPTIONAL)

WITH ELECTROMAGNETIC BRAKE

THE TRADITIONAL DEVICE FOR THE IRREVERSIBILITY OF THE MOTOR.

